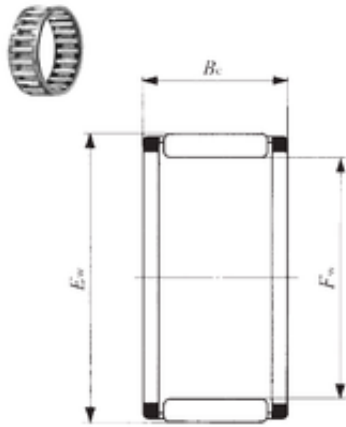




Bearing Industrial (Group) Limited



IKO KT 758330 IKO Bearings

Bearing No. KT 758330

Bore Diameter	75 mm
Outer Diameter	83 mm
Fw	75 mm
Ew	83 mm
Bc	30 mm
Weight	0,141 Kg
Basic dynamic load rating (C)	63,1 kN
Basic static load rating (C0)	144 kN

KT 758330 Bearing 2D drawings and 3D CAD models